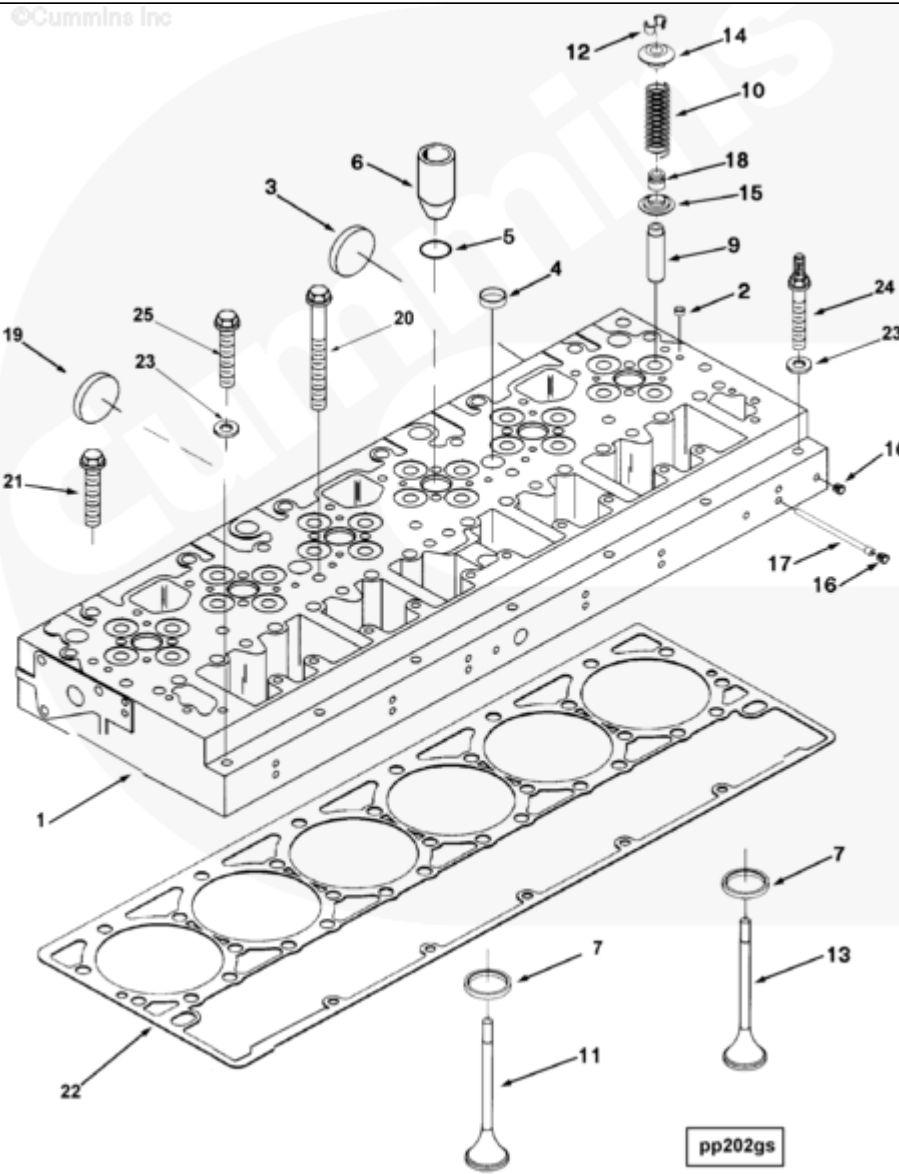




# Parts Catalog - Option Detail

Electronic Parts Catalog - Option Detail				
Option	Group	Graphic	Film Card	Date
PP8545-07	02.01	pp202gs	II	18-JUN-08
<b>Engines</b>	ISM CM570, ISM CM570/870, ISM CM875, ISM CM876, ISM CM876 E, ISM11 CM876 M103, ISM11 CM876 SN, M11 CELECT, M11 CELECT PLUS, M11 MECHANICAL, QSM11 CM570, QSM11 CM876			



[SMALL](#) | [MEDIUM](#) | [LARGE](#)

Cart	Ref No	Part Number	Part Description	Required	Remarks
<a href="#">View My Cart</a>					
		PP8545-07	Cylinder Head		

					Cylinder Head
<input type="checkbox"/>		2864016	Head , Cylinder Top Level Assembly	1	
	1	2864013	Cylinder Head	1	
<input type="checkbox"/>	2	3007632	Expansion Plug	2	
<input type="checkbox"/>	3	206741	Expansion Plug	2	
<input type="checkbox"/>	4	3007635	Expansion Plug	8	
<input type="checkbox"/>	5	3035026	O-Ring Seal	6	
<input type="checkbox"/>	6	3417717	Injector Sleeve	6	
<input type="checkbox"/>	7	3090704	Valve Insert	24	
<input type="checkbox"/>	9	4923471	Valve Stem Guide	24	
<input type="checkbox"/>	10	3895860	Valve Spring	24	
<input type="checkbox"/>		4955239	Intake Valve Kit	12	
	11	4926069	Intake Valve	12	Serviced as 4955239
<input type="checkbox"/>	12	3275354	Valve Collet	24	
<input type="checkbox"/>		3800637	Exhaust Valve Kit	12	
	13	3417779	Exhaust Valve	12	
<input type="checkbox"/>	12	3275354	Valve Collet	24	
<input type="checkbox"/>	14	3104151	Valve Spring Retainer	24	
<input type="checkbox"/>	15	3070072	Valve Spring Guide	24	
<input type="checkbox"/>	16	3008465	Pipe Plug	16	1/8 NPT
<input type="checkbox"/>	17	3820749	Orifice Plug	6	
<input type="checkbox"/>	18	4003966	Valve Stem Seal	24	Spring Color: Steel
<input type="checkbox"/>	19	3895479	Expansion Plug	2	
<input type="checkbox"/>	20	4923187	Fracture Resistant Screw	29	
<input type="checkbox"/>	21	4022907	Hexagon Flange Head Cap Screw	3	M14 x 1.50 x 71
	22	4022500	Cylinder Head Gasket	1	
<input type="checkbox"/>	23	3328328	Sealing Washer	5	
<input type="checkbox"/>	24	3328637	Studded Flange Cap Screw	3	

<input type="checkbox"/>	25	<a href="#">3328379</a>	Hexagon Flange Head Cap Screw	2	
<input type="checkbox"/>		<a href="#">3417558</a>	Valve Stem Guide	A/R	.20 mm Oversize
<input type="checkbox"/>		<a href="#">3028071</a>	Valve Insert		
<input type="checkbox"/>		<a href="#">3028072</a>	Valve Insert		
<input type="checkbox"/>		<a href="#">3028073</a>	Valve Insert		
<input type="checkbox"/>		<a href="#">3028074</a>	Valve Insert		